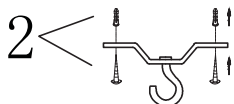
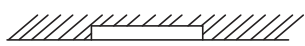
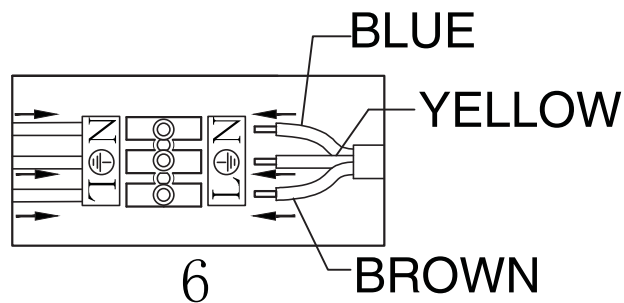


OFF 1



2

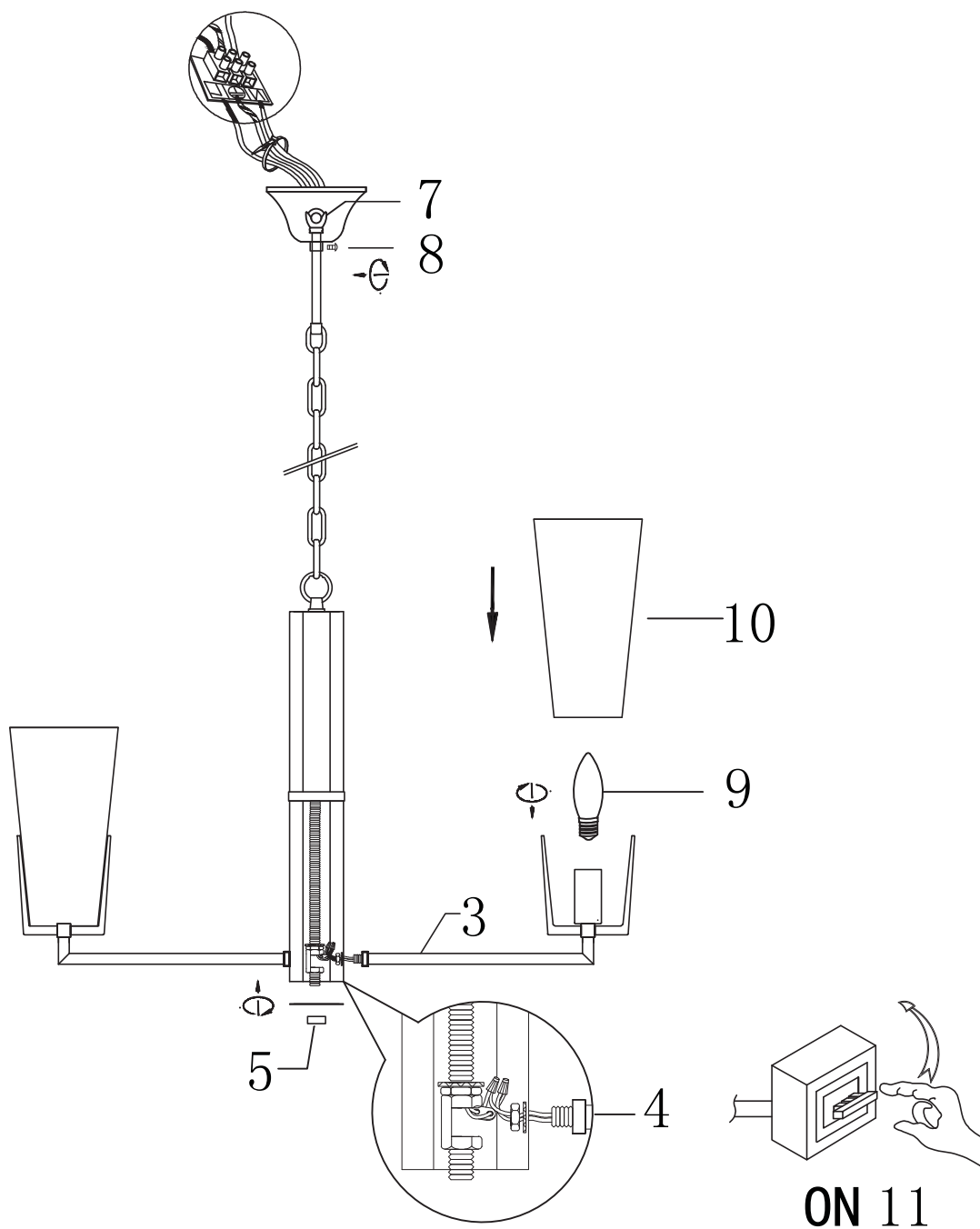


BLUE

YELLOW

BROWN

6



7

8

10

9

3

5

4

ON 11